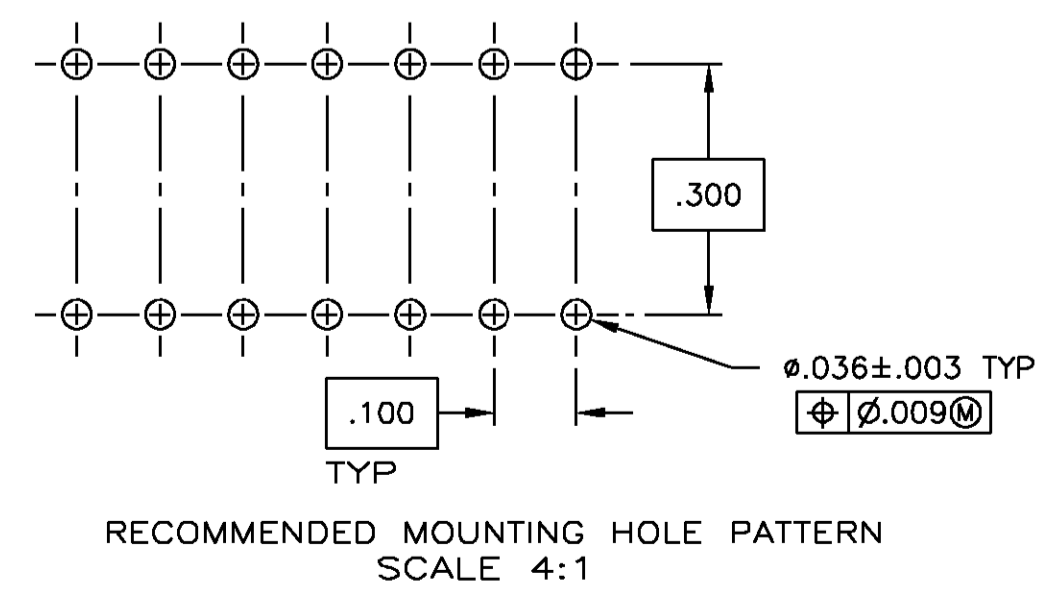
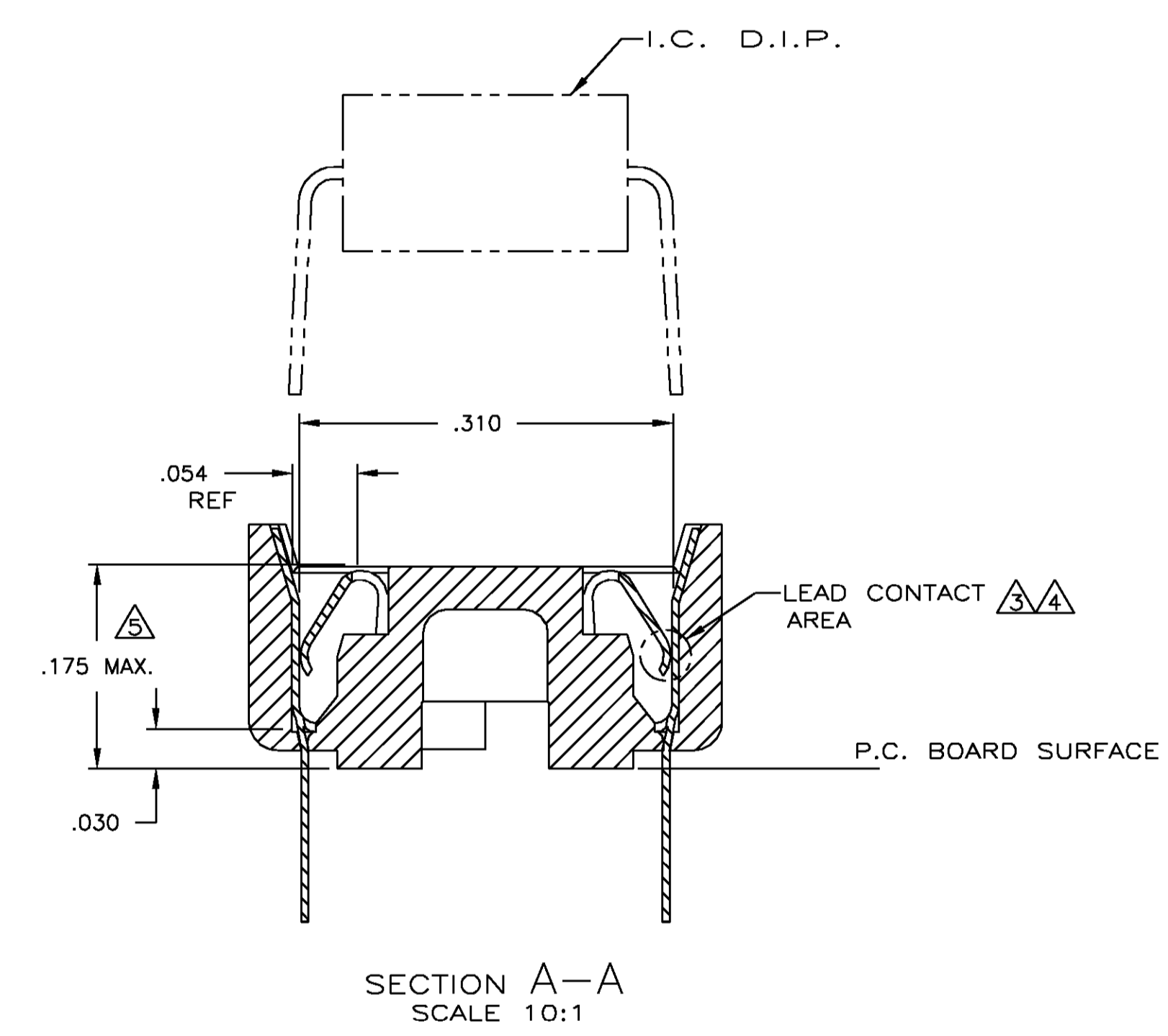
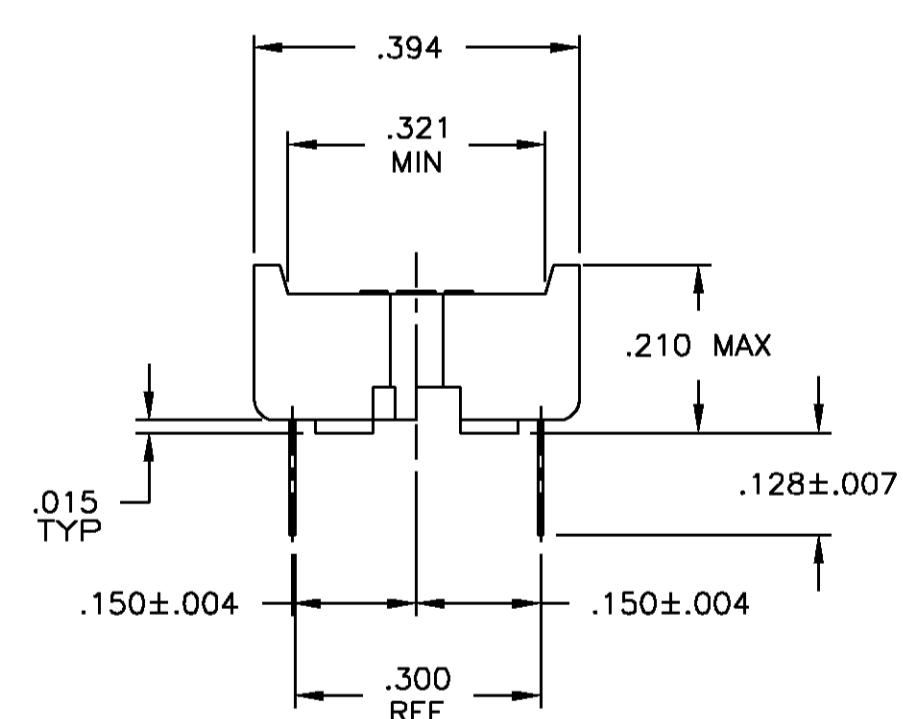
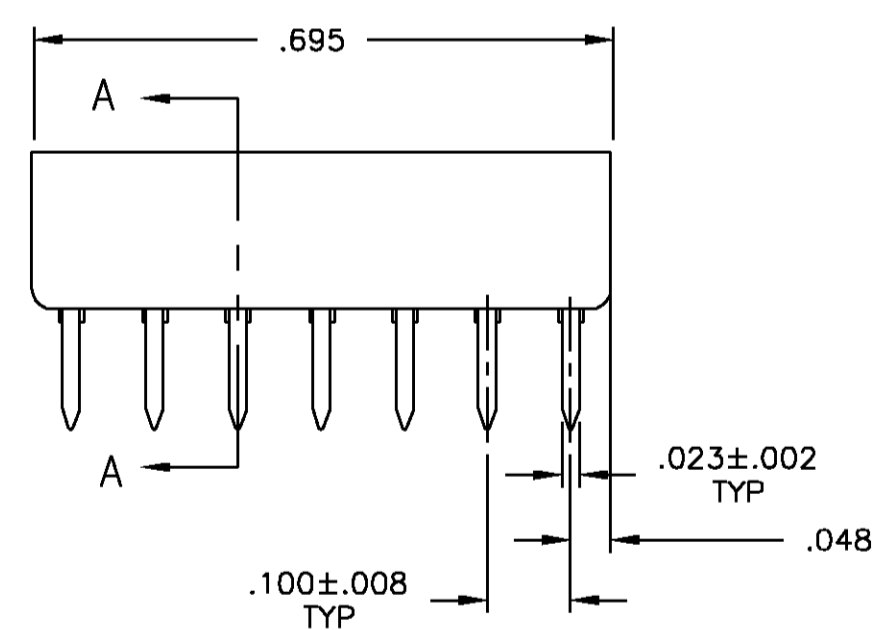
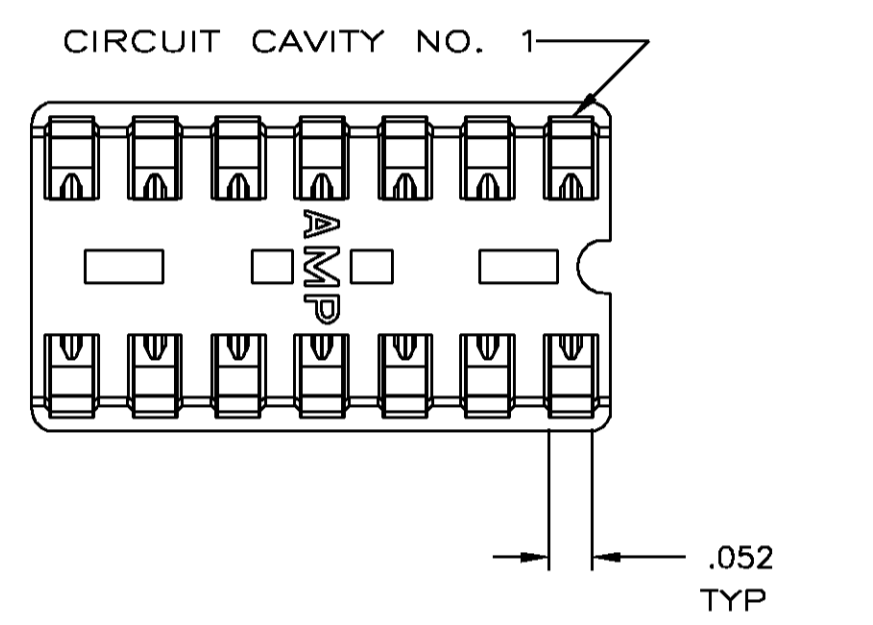


1. RECEPTACLE ACCEPTS A .008-.014 THICK I.C. LEAD.
2. TUBE LOADED FOR AUTOMATIC INSERTION.
3. TWO .000030 MIN THK. GOLD STRIPES IN CONTACT AREA WITH TIN-LEAD (93/7) ON CONTACT LEGS, BALANCE OF CONTACT NICKEL PLATED.
4. TWO .000015 MIN THK. GOLD STRIPES IN CONTACT AREA WITH TIN-LEAD (93/7) ON CONTACT LEGS, BALANCE OF CONTACT NICKEL PLATED.
5. MAXIMUM DIMENSION FOR I.C. SEATING PLANE.



SUPSD BY 390261-3	TINNED	PHOS.BRZ. .006 THK	GLASS-FILLED THERMOPLASTIC, 94V-0, BLACK	2-640357-4
OBSOLETE		PHOS.BRZ. .006 THK	GLASS-FILLED THERMOPLASTIC, 94V-0, BLACK	2-640357-3
SUPSD BY 390261-3	TINNED	BE.CU. .006 THK	GLASS-FILLED THERMOPLASTIC, 94V-0, BLACK	2-640357-2
		BE.CU. .006 THK	GLASS-FILLED THERMOPLASTIC, 94V-0, BLACK	2-640357-1

CONTACT FINISH	CONTACT MAT'L	HOUSING MATERIAL	PART NO.

THIS DRAWING IS A CONTROLLED DOCUMENT.		DRW: M.CYRUS 20FEB97	Tyco Electronics Corporation Harrisburg, PA 17105	
		CR: R.MILLER 20 FEB 97	<b>AMP</b>	
		APVD: J.LAMBERT 20 FEB 97	SOCKET ASSY, DIP, 14 POS, DIPLOMATE DL	
DIMENSIONS: INCHES		TOLERANCES UNLESS OTHERWISE SPECIFIED:	PRODUCT SPEC: 108-1066	
0 PL	± .005	ANGLES	APPLICATION SPEC: 114-1049	
1 PL	± .005		WEIGHT: -	
2 PL	± .005		SIZE: A1	
3 PL	± .005		CAGE CODE: 00779	
4 PL	± .005		DRAWING NO: 640357	
MATERIAL: SEE TABLE	FINISH: SEE TABLE	CUSTOMER DRAWING	SCALE: 5:1	SHEET 1 OF 1 REV 7